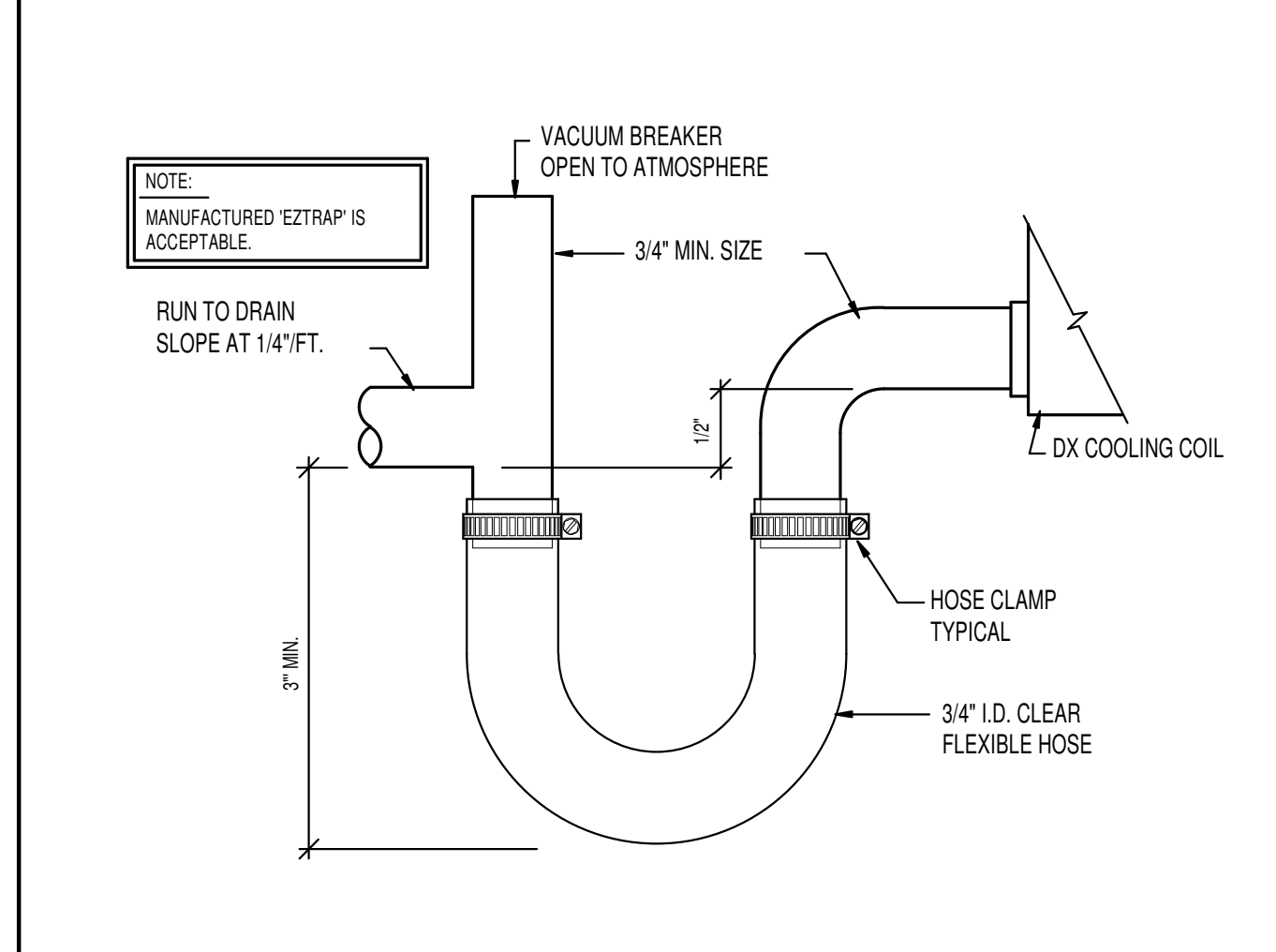


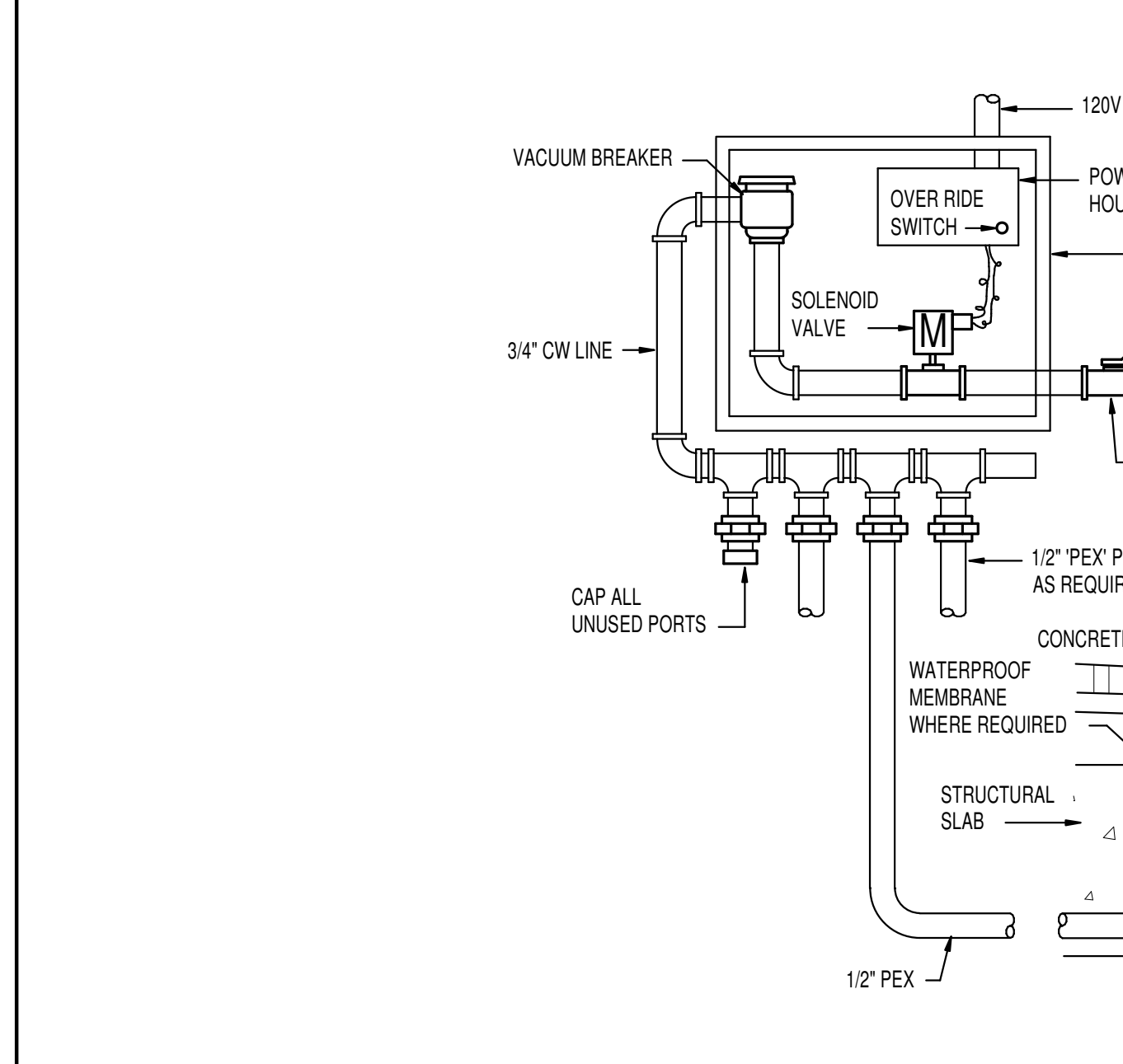
**A VENT THRU METAL ROOF DETAIL** NO SCALE

**B COMPRESSED GAS TANK MANIFOLD** NO SCALE

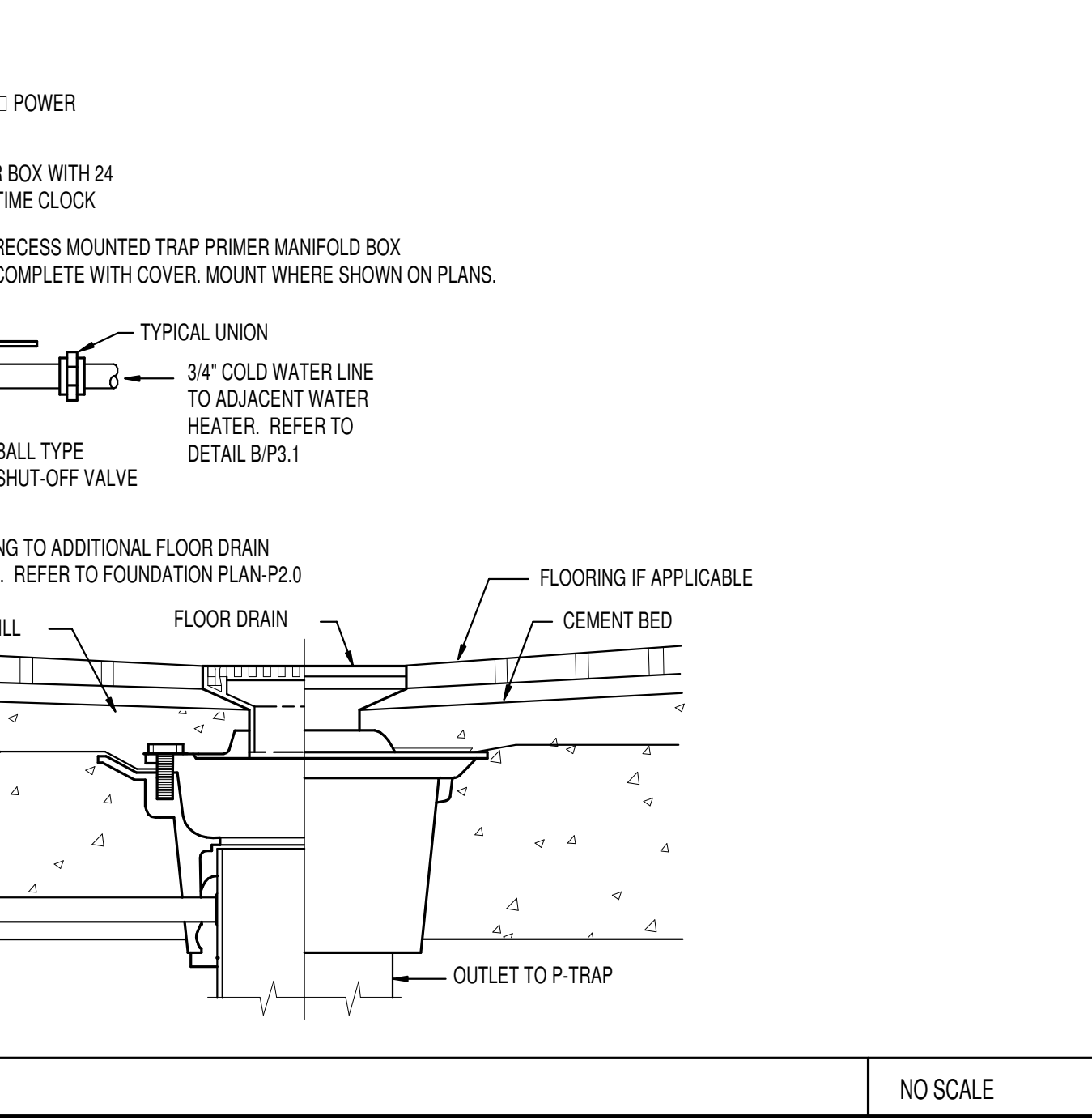


**C DX COIL CONDENSATE DRAIN DETAIL** NO SCALE

**D NOT USED** NO SCALE



**E TRAP PRIMER DETAIL** NO SCALE



FIXTURE SCHEDULE						
SYM.	DESCRIPTION	HOT	COLD	WASTE	VENT	AIR
AC-1	AIR OUTLET - (1) DEVILBISS MODEL P-HC-235 QUICK CONNECT HOSE COUPLING WITH V1-256 SHUT-OFF VALVE AND 1/2" SUPPLY LINE. REFER TO DETAIL D/P3.1 FOR TYPICAL INSTALLATION.	---	---	---	---	1/2"
AC-2	AIR OUTLET - (2) DEVILBISS MODEL P-HC-235 QUICK CONNECT HOSE COUPLINGS WITH SINGLE V1-256 SHUT-OFF VALVE AND 1/2" SUPPLY LINE. REFER TO DETAIL D/P3.1 FOR TYPICAL INSTALLATION.	---	---	---	---	1/2"
C-1	AIR COMPRESSOR - FURNISHED BY OWNER. ROUGH-IN AND CONNECT 1-1/4" COMPRESSED AIR LINE AND 1-1/4" VENT LINE PIPED TO OUTSIDE TO COMPRESSOR. REFER TO DETAIL H/P3.1 FOR PIPE CONNECTIONS.	---	---	---	---	1-1/4"
DF-1	BILEVEL DRINKING FOUNTAIN - ELKAY MODEL LZSTL8WSLP AND EZH20 BOTTLE FILLER COMPLETE WITH HANDS FREE FILL VALVE, 1/2" STOP, 1-1/2" P-TRAP AND FLEX-GUARD SAFETY BUBBLER VALVE. (120601)	---	1/2"	1-1/2"	1-1/2"	---
EW-1	EMERGENCY EYEWASH STATION - HAWS 7260BT WITH PUSH-OPEN BALL VALVE, EYEWASH BOWL, 1/2" SUPPLY LINE AND 1-1/2" WASTE LINE WITH P-TRAP. REFER TO DETAIL G/P3.1	---	1/2"	1-1/2"	1-1/2"	---
FD-1	2" FLOOR DRAIN - ZURN MODEL Z-415 WITH 5" Dia., TYPE "B", NICKEL-BRONZE STRAINER AND 2" DEEP SEAL P-TRAP. PROVIDE TRAP PRIMER CONNECTION ON ALL FLOOR DRAINS. REFER TO DETAIL E/P3.2 FOR TYPICAL INSTALLATION.	---	---	2"	2"	---
HB-1	EXTERIOR HOSE BIBB - ZURN MODEL Z-1310 "ECOLOTROL" WITH REMOVABLE KEY. LENGTH TO SUIT WALL THICKNESS. REFER TO DETAIL A/P3.1 FOR TYPICAL INSTALLATION WITH INTERIOR WALLS. REFER TO DETAIL E/P3.1 FOR TYPICAL INSTALLATION IN REPAIR SHOP.	---	3/4"	---	---	---
HB-2	INTERIOR HOSE BIBB - WOODFORD MODEL 24P-1/2 WITH CHROME TEE HANDLE AND VACUUM BREAKER. REFER TO DETAIL E/P3.2 FOR TYPICAL INSTALLATION IN REPAIR SHOP.	---	1/2"	---	---	---
ICE	ICE BOX CONNECTION - GUY GREY MODEL BIM875 WITH 1/2" COLD WATER CONNECTION AND SHUT-OFF VALVE. MOUNTED RECESSED IN WALL NEAR FLOOR.	---	1/2"	---	---	---
JS-1	FLOOR MOUNTED SERVICE SINK - KOHLER K6710 "WHITBY" WITH K-8940 WIRE RIM GUARD, K-9142 PERFORATED STRAINER AND 2" DEEP SEAL P-TRAP. K-8908 CP "KINLOCK" FAUCET WITH VACUUM BREAKER, WALL BRACE AND PAIL HOOK. PROVIDE 5'-0" RUBBER HOSE AND WALL HOOK.	1/2"	1/2"	2"	2"	---
L-1	ADA WALL MOUNTED LAVATORY - KOHLER MODEL K-2032 "GREENWICH" WITH K-7715 OPEN GRID STRAINER, 1/2" STOPS, 1-1/2" P-TRAP AND SLOAN EBF-625 (BATTERY) AUTOMATIC FAUCET WITH MIXING VALVE. PROVIDE INSULATING JACKET ON WASTE AND HOT WATER LINES.	1/2"	1/2"	1-1/2"	1-1/2"	---

FIXTURE SCHEDULE						
SYM.	DESCRIPTION	HOT	COLD	WASTE	VENT	AIR
PW-1	PRESSURE WASHER - FURNISHED BY OWNER. CONTRACTOR TO ROUGH-IN AND CONNECT 1" COLD WATER LINE WITH SHUT-OFF VALVE. FIELD VERIFY CONNECTIONS WITH EQUIPMENT SUPPLIED.	---	1"	---	---	---
S-1	SINGLE COMPARTMENT SINK - ELKAY MODEL LR-1918 WITH LK-35 DUO-STRAINER, 1/2" STOPS, 1-1/2" P-TRAP, AND SLOAN "OPTIMA" EBF-750 (BATTERY) AUTOMATIC GOOSENECK FAUCET WITH MIXING VALVE.	1/2"	1/2"	1-1/2"	1-1/2"	---
S-2	WASH SINK - ELKAY MODEL B1C24X24X WITH LK8940C WALL MOUNTED FAUCET COMPLETE WITH SUPPORT BRACKET, PAIL HOO AND VACUUM BREAKER, AND LK99 HEAVY GAUGE STRAINER, 1/2" STOPS, 1-1/2" P-TRAP.	1/2"	1/2"	1-1/2"	1-1/2"	---
TD-1	20'-0" TRENCH DRAIN - MIFAB T1800 12" SLOPED "FILCONTEN" TRENCH DRAIN COMPLETE WITH END CAPS WITH 4" OUTLET CONNECTION AND EXTRA HEAVY-DUTY DUCTILE IRON GRATE.	---	---	4"	2"	---
TD-2	40'-0" TRENCH DRAIN - MIFAB T1800 12" SLOPED "FILCONTEN" TRENCH DRAIN COMPLETE WITH END CAPS WITH 4" OUTLET CONNECTION AND EXTRA HEAVY-DUTY DUCTILE IRON GRATE.	---	---	4"	2"	---
TP-1	TRAP PRIMER - ZURN Z-1022XL IN-LINE PRIMER. MOUNT BELOW FIXTURE WHERE SHOWN AND RUN 1/2" COLD WATER LINE BELOW FLOOR TO FLOOR DRAIN. REFER TO DETAIL E/P3.2 FOR TYPICAL INSTALLATION AND CONNECTION.	---	1/2"	---	---	---
U-1	URINAL - KOHLER MODEL K-4889T "FRESHMAN" WITH SLOAN "OPTIMA" 8180 (BATTERY) AUTOMATIC FLUSH VALVE. PROVIDE WALL CARRIER. SEE ARCH. DRAWINGS FOR MOUNTING HEIGHT.	---	3/4"	2"	2"	---
WC-1	ADA FLUSH TANK WATERCLOSET - KOHLER MODEL K-3493 "HIGHLINE" WITH K-4670C WHITE OPEN FRONT SEAT, AND BOLT CAPS. RIGHT OR LEFT HAND FLUSH LEVER SO LEVER IS ON OPEN SIDE OF ACCESSIBLE STALLS.	---	1/2"	4"	2"	---
WH-1	40 GALLON WATER HEATER - A.O. SMITH MODEL ECRT-40 WITH (2) 4.5KW (NON-SIMULTANEOUS) HEATING ELEMENTS, THERMAL EXPANSION TANK, HEAT TRAP NIPPLES, AND SYMMONS T-200 MIXING VALVE, 3/4" SUPPLY CONNECTIONS AND T&P RELIEF VALVE. REFER TO DETAIL B/P3.1 FOR TYPICAL PIPING CONNECTIONS.	3/4"	3/4"	3/4" TEMPERED	---	---

**GENERAL NOTES:**

A- THE CONTRACTOR SHALL CHECK AND VERIFY ALL DIMENSIONS AND CONNECTIONS ON THE JOB SITE. ALL WORK SHALL BE EXECUTED FROM MEASUREMENTS TAKEN AT THE SITE.

B- THE MECHANICAL CONTRACTOR SHALL BE RESPONSIBLE TO INSURE PROPER CODE CLEARANCES FOR ELECTRICAL AND MECHANICAL ACCESS WHEN INSTALLING ANY EQUIPMENT SUPPLIED BY THE MECHANICAL CONTRACTOR.

C- IT IS CRITICAL THAT THIS CONTRACTOR COORDINATE EQUIPMENT LOCATIONS WITH PIPING, DUCTWORK, ELECTRICAL CONDUIT AND BUILDING STRUCTURE TO INSURE CODE COMPLIANCE.

D- CEILING DIFFUSERS ARE SHOWN IN APPROXIMATE LOCATIONS. REFER TO LIGHTING PLANS AND REFLECTED CEILING PLAN FOR EXACT LOCATIONS.

E- DUCT DIMENSIONS CALLED OUT ON DRAWINGS ARE INSIDE FREE AREA DIMENSIONS. ACOUSTICAL DUCT LINER ARE TO BE ADDED TO OVERALL MEASUREMENTS.

F- ALL DUCTWORK AND PIPING WHICH PASSES THRU FIRE RATED WALLS TO BE FIRE STOPPED WITH APPROVED FOAM OR SEALANT. REFER TO SPECIFICATIONS FOR APPROVED MANUFACTURERS.

ORIGINAL DRAWING SIGNED BY: DWAYNE C. SUDWEEKS  
DATE ORIGINAL SIGNED: April 1, 2019 ORIGINAL ON FILE AT:  
ENGINEERED SYSTEMS ASSOCIATES 1355 EAST CENTER,  
POCATELLO, IDAHO 83201

**Engineered Systems Associates**  
1355 EAST CENTER  
POCATELLO, IDAHO 83201  
PHONE: (208) 233-0501  
FAX: (208) 233-0529  
EMAIL: esa@engsystems.com  
ESA JOB NUMBER: 18023

PROFESSIONAL ENGINEER REGISTERED  
5762  
DWAYNE C. SUDWEEKS

DATE: \_\_\_\_\_

A NEW FACILITY FOR:  
**BURLEY HIGHWAY DISTRICT**  
PLUMBING SCHEDULE AND DETAILS

**Laughlin Ricks Architecture**  
architecture/planning  
935 Shoshone Street North \* Twin Falls, Idaho 83301  
(208) 736-8050 Fax: (208) 733-0950

DATE: 11/30/18  
MLJ DCS  
Drawn Checked  
**P3.2**